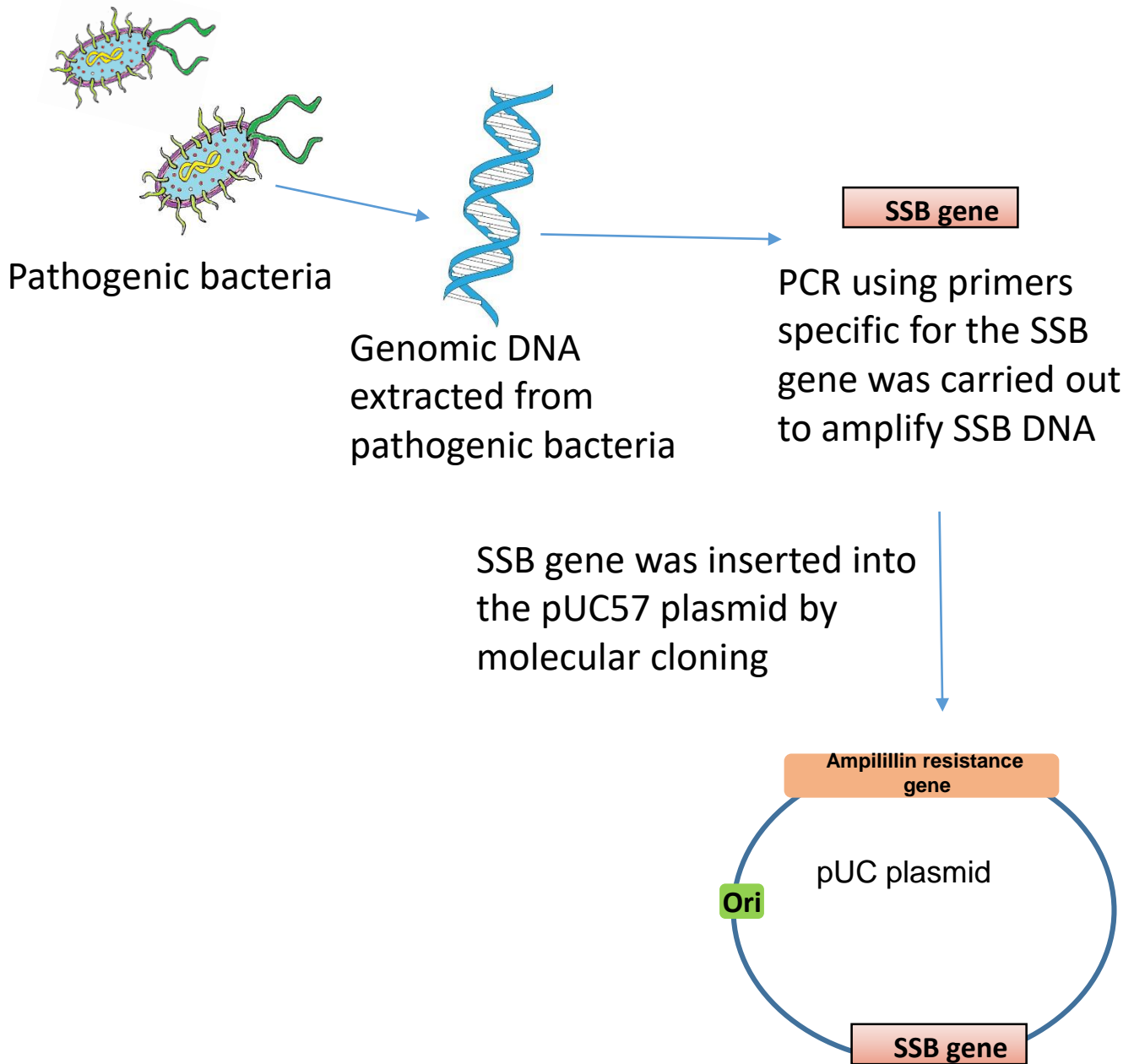


**Molecular Cloning of the *SSB* gene into the pET21a plasmid for protein expression.**

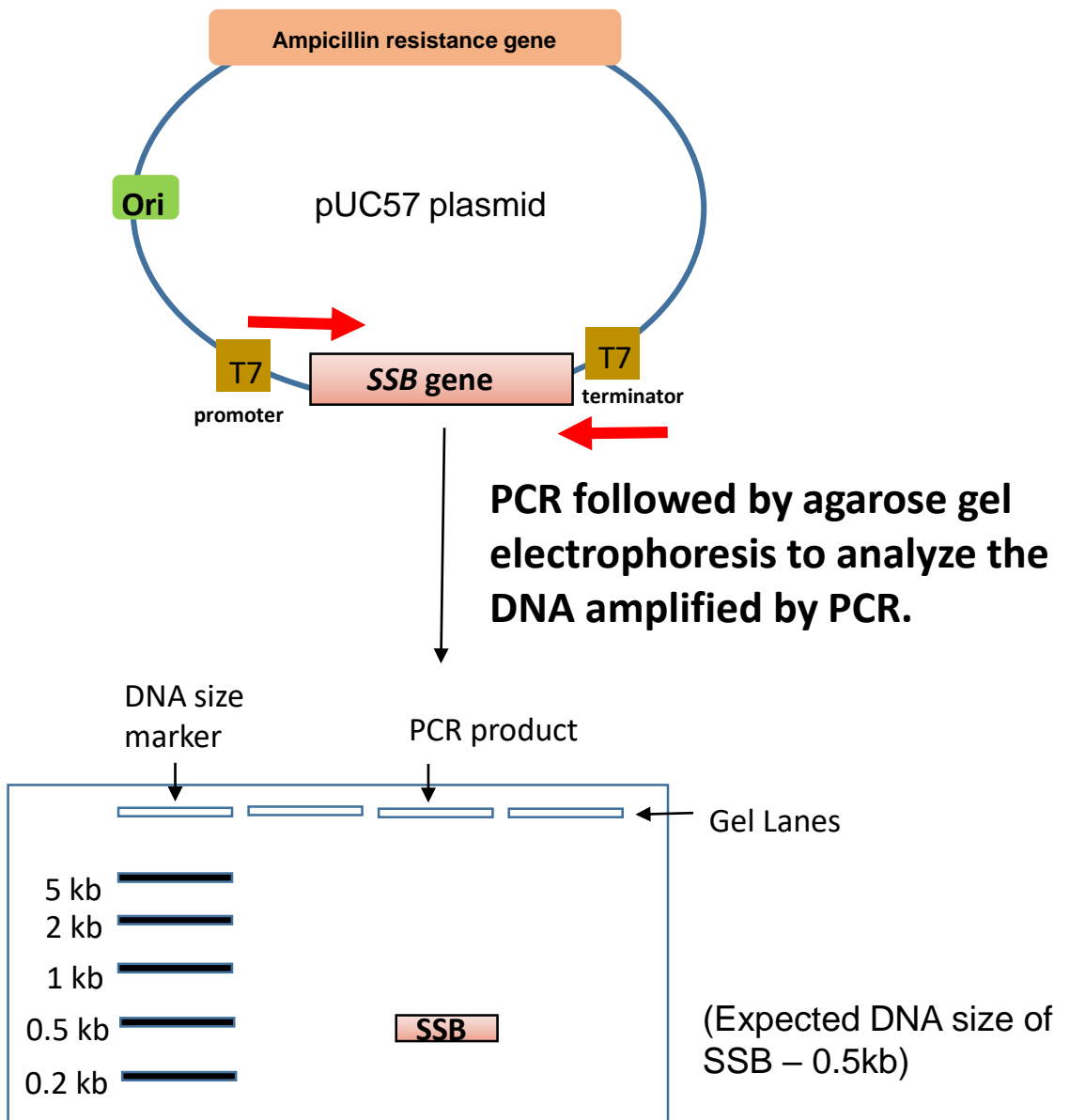
**Introduction** – *SSB* gene from a specific species of pathogenic bacterium has already been cloned into the pUC57 plasmid.



# Learning the concept of PCR by amplifying SSB DNA from pUC57 plasmid.

## Overview:

- To learn the concept and technique of PCR, SSB gene cloned into the pUC57 plasmid will be amplified using forward and reverse primers (shown in red).
- The amplified SSB PCR product will be analyzed using agarose gel electrophoresis.



# Learning the concept of PCR

## Overview (cont'd.) : PCR- Schematic

