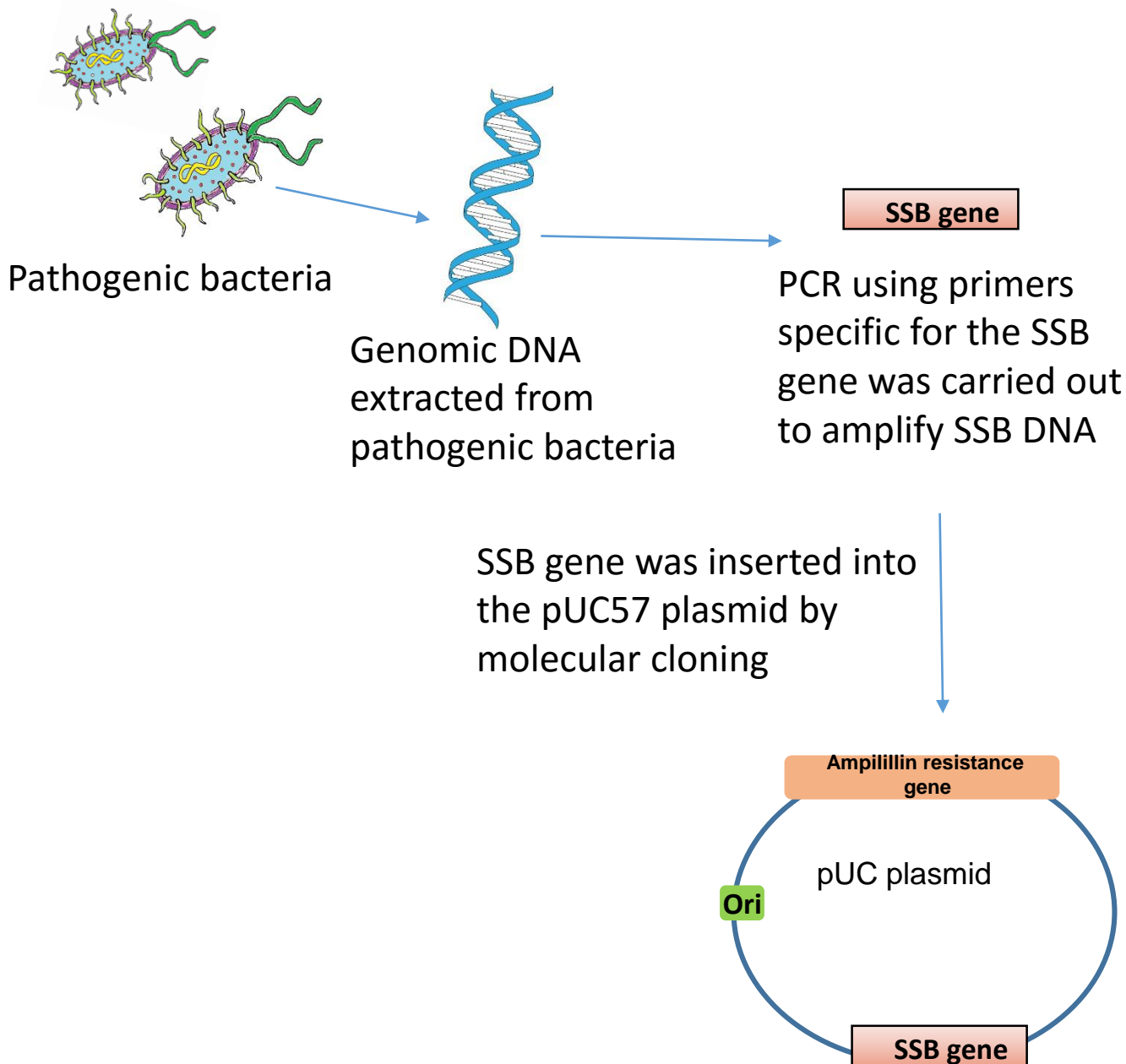


**Week 1: Molecular Cloning of the SSB gene into the pCDF plasmid for protein expression.**

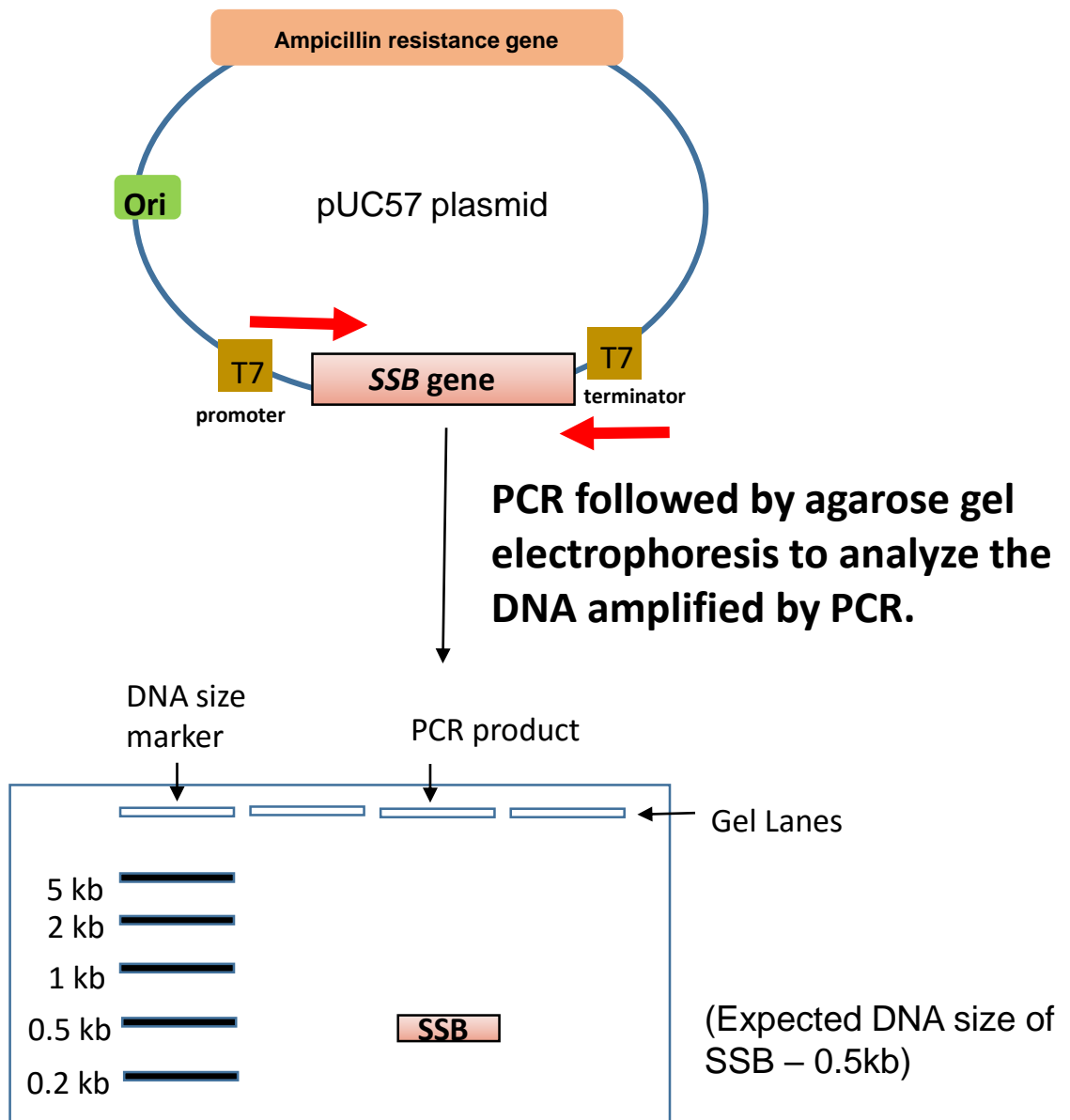
**Introduction** – SSB gene from a specific species of pathogenic bacterium has already been cloned into the pUC57 plasmid.



# Week 1 – Learning the concept of PCR by amplifying *E.coli* SSB DNA from pUC57 plasmid.

## Overview:

- To learn the concept and technique of PCR, SSB gene cloned into the pUC57 plasmid will be amplified using forward and reverse primers (shown in red).
- The amplified SSB PCR product will be analyzed using agarose gel electrophoresis.



# Week 1 – Learning the concept of PCR by amplifying DNA inserted into the pCDF plasmid.

## Overview (cont'd.) : PCR- Schematic

